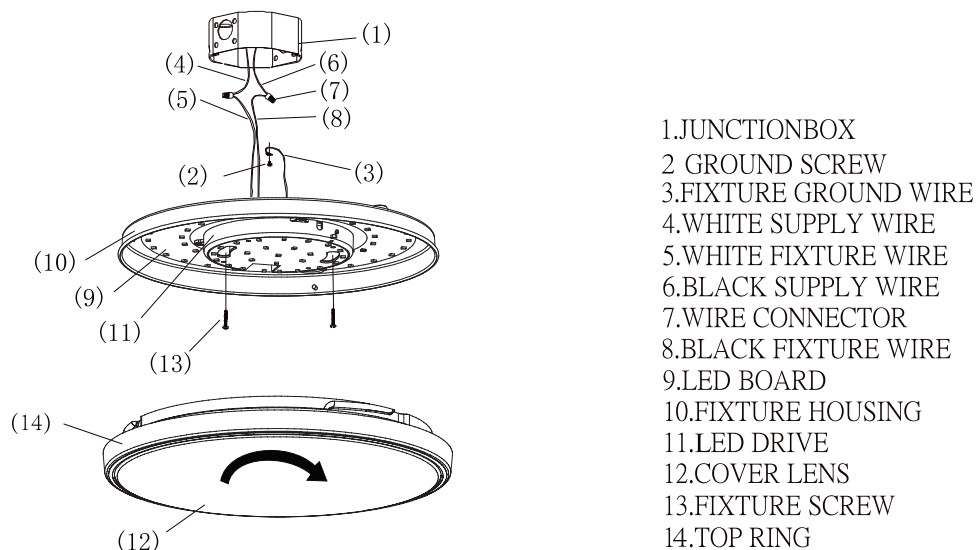


1. Turn off the power.
2. Remove the cover lens (12) from the fixture housing (10).
Position your fixture over the junctionbox (1).
3. Pull the supply wires (6) and ground wire out from the junctionbox (1).
4. connect the ground wire
to the junctionbox by ground screw(2).
Connect the white supply wire (4) to the white fixture wire (5) ,
connect black supply wire (6) to the black fixture wire(8) by using
wire connectors (7). Carefully tuck all wires back into the junction
box (1).
5. Locate the Fixture Housing(10) over the junction Box (1),
Put the fixture screw through the long hole slot on the Fixture
housing (10) and thread into the junctionbox(1).Then secure the Fixture
housing(10)to the junctionbox(1)by tightening the two Fixture Screws(13).
6. Secure the cover lens (12) and the top ring to the fixture housing

INSTALLATION IS NOW COMPLETED



Caution:

- i) Please read and follow the Instruction carefully before installation.
- ii) For indoor use only.
- iii) Only installed by licensed electrician or technician that have electrical knowledge and fully understand the safety requirements.
- iv) Power must be turned off during installation and servicing
- v) Limited Warranty.
- vi) Only operate product with voltage and frequency stated on this instruction, to operate product at different voltage and frequency will affect the life of product.